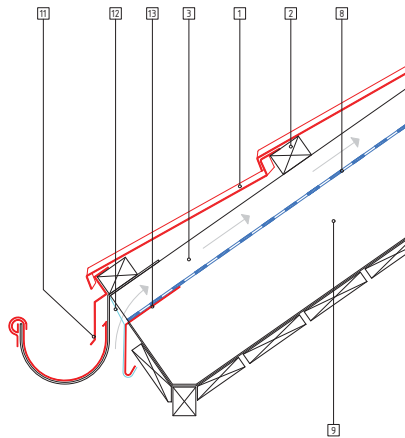


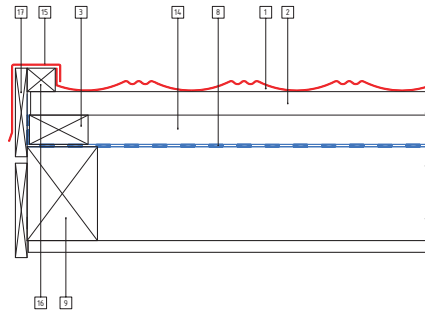
INTERSECTION DRAWINGS HERITAGE TILE

EAVES FLASHING



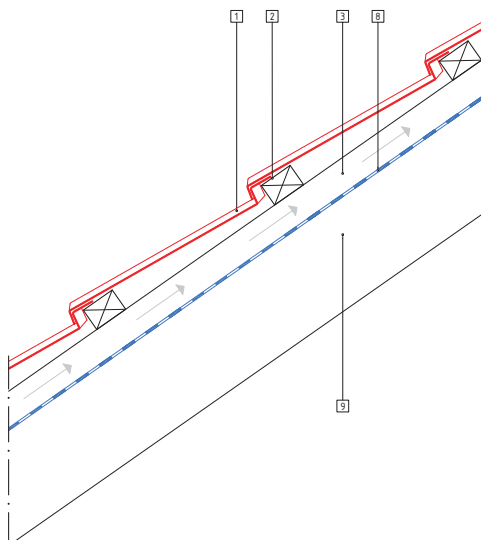
- 1 Tile
- 2 Tile Batten
- 3 Ventilation Space Batten
- 8 Underlay
- 9 Rafter
- 11 Eaves Flashing
- 12 Mesh
- 13 Eaves Guard Flashing

BOX BARGE



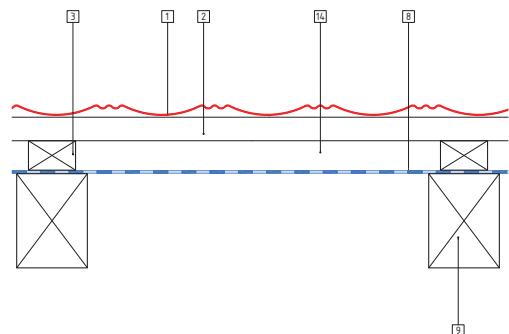
- 1 Tile
- 2 Tile Batten
- 3 Ventilation Space Batten
- 8 Underlay
- 9 Rafter
- 14 Ventilation Space
- 15 Box Barge
- 16 Gable Batten
- 17 Barge Board

BASIC PRINCIPLE 1



- 1 Tile
- 2 Tile Batten
- 3 Ventilation Space Batten
- 8 Underlay
- 9 Rafter

BASIC PRINCIPLE 2

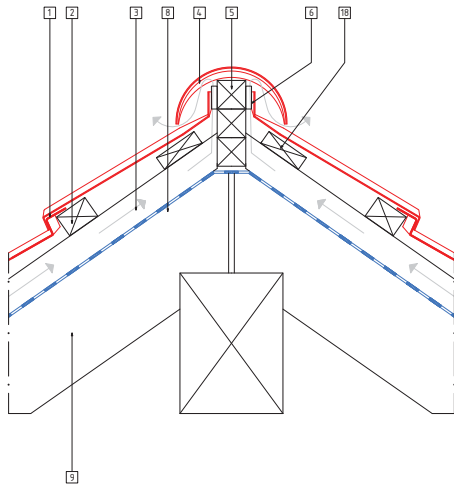


- 1 Tile
- 2 Tile Batten
- 3 Ventilation Space Batten
- 8 Underlay
- 9 Rafter
- 14 Ventilation Space

All the intersection drawings are available in full A4 format upon request.

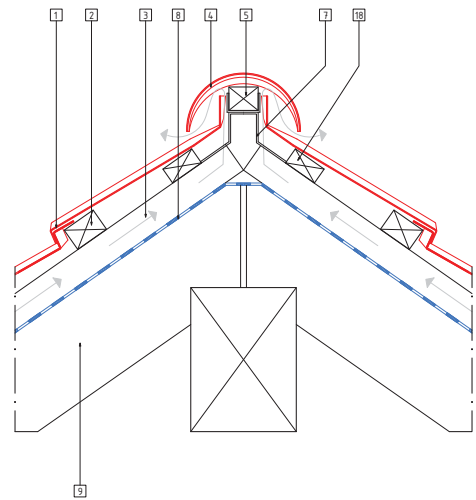
INTERSECTION DRAWINGS HERITAGE TILE

RIDGE



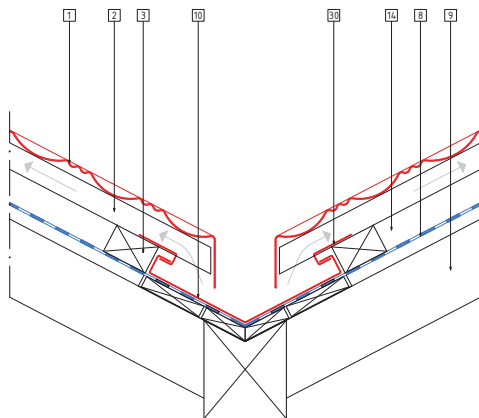
- 1** Tile
- 2** Tile Batten
- 3** Ventilation Space Batten
- 4** Barrel
- 5** Ridge Batten
- 6** Spacer
- 8** Underlay
- 9** Rafter
- 18** Thinner Support Batten

RIDGE 1



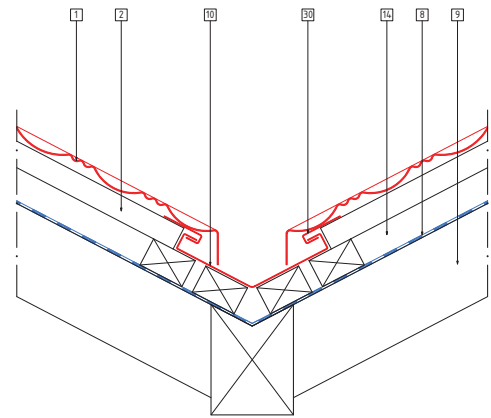
- 1** Tile
- 2** Tile Batten
- 3** Ventilation Space Batten
- 4** Batten
- 5** Ridge Batten
- 6** Spacer
- 7** Ridge Bracket
- 8** Underlay
- 9** Rafter
- 18** Thinner Support Batten

VALLEY



- 1** Tile
- 2** Tile Batten
- 3** Ventilation Space Batten
- 8** Underlay
- 9** Rafter
- 10** Valley
- 14** Ventilation Space
- 30** Clip

VALLEY 1

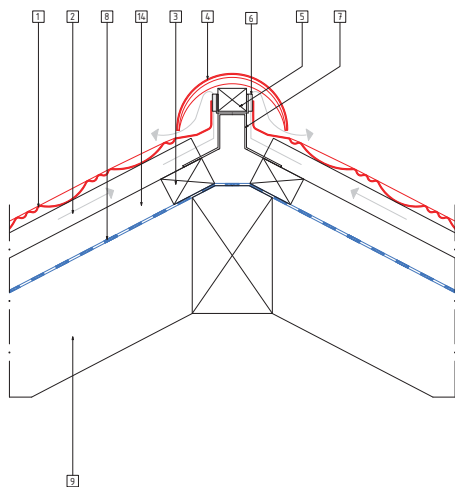


- 1** Tile
- 2** Tile Batten
- 3** Ventilation Space Batten
- 8** Underlay
- 9** Rafter
- 10** Valley
- 14** Ventilation Space
- 30** Clip

All the intersection drawings are available in full A4 format upon request.

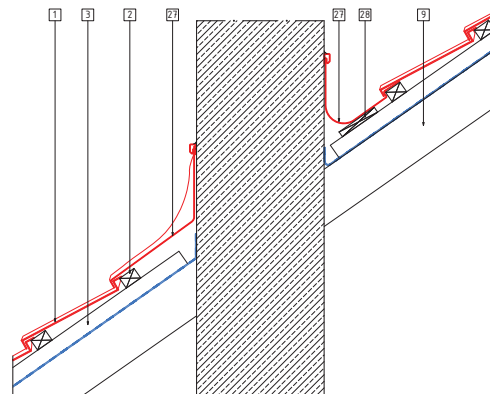
INTERSECTION DRAWINGS HERITAGE TILE

HIP



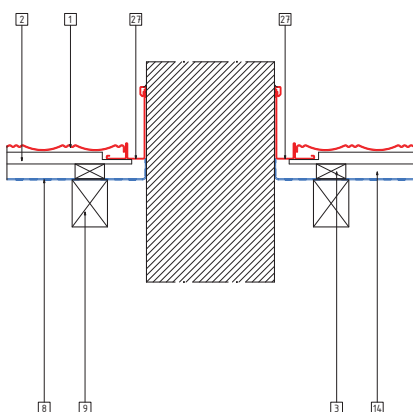
- 1 Tile
- 2 Tile Batten
- 3 Ventilation Space Batten
- 4 Barrel
- 5 Hip Batten
- 6 Spacer
- 7 Hip Bracket
- 8 Underlay
- 9 Rafter
- 14 Ventilation Space

CHIMNEY FLASHING



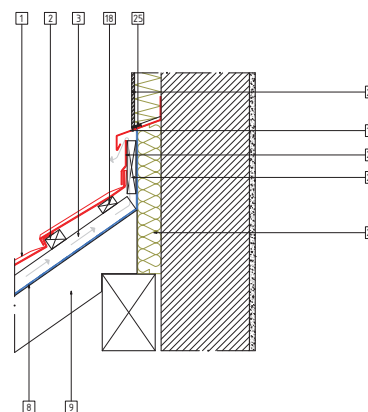
- 1 Tile
- 2 Tile Batten
- 3 Ventilation Space Batten
- 9 Rafter
- 27 Chimney Flashing
- 28 Board

CHIMNEY FLASHING



- 1 Tile
- 2 Tile Batten
- 3 Ventilation Space Batten
- 8 Underlay
- 9 Rafter
- 27 Chimney Flashing

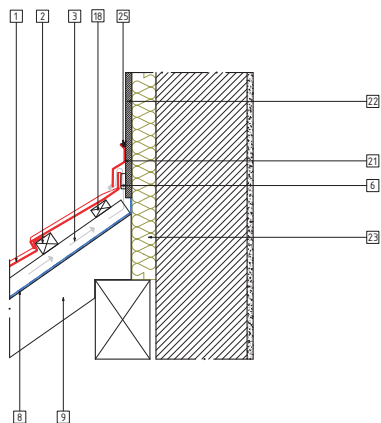
TOP WALL FLASHING



- 1 Tile
- 2 Tile Batten
- 3 Ventilation Space Batten
- 8 Underlay
- 9 Rafter
- 18 Support Batten
- 19 Top Wall Starter Flashing
- 20 Top Wall Spacer
- 21 Side Flashing
- 22 Render
- 23 Warmth Insulation
- 25 Sealant

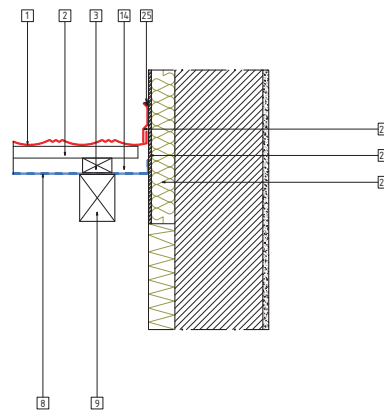
INTERSECTION DRAWINGS HERITAGE TILE

TOP WALL FLASHING



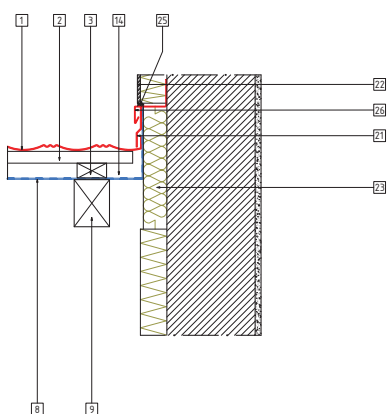
- | | |
|-----------------------------------|--|
| 1 Tile | 19 Top Wall Starter
Flashing |
| 2 Tile Batten | 20 Top Wall Spacer |
| 3 Ventilation Space Batten | 21 Side Flashing |
| 6 Spacer | 22 Render |
| 8 Underlay | 23 Warmth Insulation |
| 9 Rafter | 25 Sealant |
| 18 Support Batten | |

WALL FLASHING



- | | |
|-----------------------------------|-----------------------------|
| 1 Tile | 21 Side Flashing |
| 2 Tile Batten | 22 Render |
| 3 Ventilation Space Batten | 23 Warmth Insulation |
| 8 Underlay | 25 Sealant |
| 9 Rafter | |
| 14 Ventilation Space | |

WALL FLASHING



- | | |
|-----------------------------------|---|
| 1 Tile | 21 Side Flashing |
| 2 Tile Batten | 22 Render |
| 3 Ventilation Space Batten | 23 Warmth Insulation |
| 8 Underlay | 25 Sealant |
| 9 Rafter | 26 Side Wall Starter
Flashing |
| 14 Ventilation Space | |

All the intersection drawings are available in full A4 format upon request.